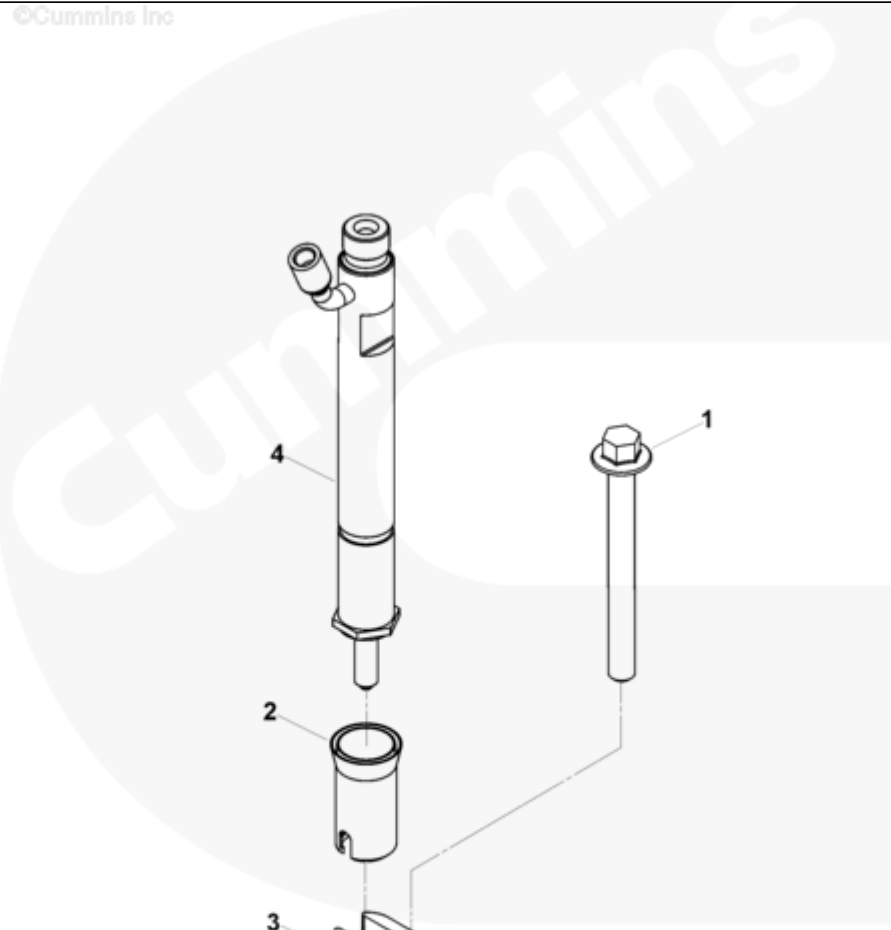




Parts Catalog - Option Detail

Electronic Parts Catalog - Option Detail				
Option	Group	Graphic	Film Card	Date
PP2960-03	06.01	pp975gq	Z	15-NOV-04
Engines	6C8.3, C GAS PLUS CM556, G8.3, G8.3 CM558, GTA8.3 CM558, ISC CM2150, ISC CM554, ISC CM850, ISC8.3 CM2250, ISC8.3 G CM2180 C101, ISL CM2150, ISL CM554, ISL CM850, ISL G CM2180, ISL8.9 CM2150 L110, ISL8.9 CM2880 L112, ISL9 CM2150 SN, ISL9 CM2250, ISL9 CM2350 L101, ISL9 CM2350 L111, ISLE4 CM850, L GAS PLUS CM556, L8.9, L8.9 L121, L8.9G CMOH2.0 L125B, L9 CM2350 L116B, L9 CM2350 L119B, L9 CM2350 L120C, L9 CM2350 L123B, L9.3 L105, L9.5 L117, L9N CM2380 L124B, QSC8.3 CM2250, QSC8.3 CM2880 C102, QSC8.3 CM554, QSC8.3 CM850(CM2850), QSL9 CM2250, QSL9 CM2250 L115, QSL9 CM2350 L102, QSL9 CM2350 L107, QSL9 CM2350 L118, QSL9 CM2350 L122, QSL9 CM554, QSL9 CM850(CM2850), QSL9 G CM558, QSL9 M CM2250 L106, QSL9.3 CM2880 L113			



pp975gq

SMALL | MEDIUM | LARGE

Cart	Ref No	Part Number	Part Description	Required	Remarks
View My Cart					
		PP2960-03	Injector		MR - INJECTOR...(More)
					Certified Model Name:
					6CTA8.3-M (SWAC)
					Timing Gear Code: N/A
					CPL: 2960
					Certified By: EPA, LR
					AFC: Yes
					ASA: No
					EFC: No
					ETC: No
					Manifold Type: Wet
					Engine Aspiration:
					Seawater Aftercooled
					Engine Control System:
					Phoenix
					Application: Marine
					Power Rating: Marine ECM
					Version: CM552
		4078345	Injector	6	
<input type="checkbox"/>	1	3902112	Hexagon Flange Head Cap Screw	1	M8 x 1.25 x 80
<input type="checkbox"/>	2	3909886	Injector Seal	1	
<input type="checkbox"/>	3	3910279	Injector Clamp	1	
	4	4078346	Injector	1	